



ISO 9001:2008 REGISTERED

**LABORATORY FURNITURE
& FUME HOODS**

MOTT RAPID SHIP

...when timing is everything

Ships within **15** business days or less

QUALITY BY DESIGN

www.mott.ca

SIMPLE ORDERING STEPS FOR QUICKEST SHIPMENTS

In order to ensure fastest shipments, please follow these few simple steps:

1. Provide a purchase order noting "Mott Rapid Ship Program"
2. Include only Mott Rapid Ship (MRS) items on your Rapid Ship order
3. Double check to ensure complete and correct Rapid Ship catalog numbers are provided
4. Include complete shipping and contact information
5. Large orders may be subject to limitations on the quantities

IMPORTANT MOTT RAPID SHIP FACTS

1. Part Numbers: All MRS orders must utilize specified MRS part numbers available on our website at www.mott.ca/rapid-ship. Configurations outside of what is displayed on the MRS program specification sheets are not available under the MRS lead times.

2. Purchase Orders: For MRS processing, please submit MRS items on separate purchase order and clearly indicate "Mott Rapid Ship". Purchase orders must include correct part numbers, pricing, reference a quote # if applicable, contain accurate contact information, and have a suitable address for material delivery. Do not combine MRS and non MRS items on the same purchase order. If an order is received with both standard and MRS line items, the MRS items will be broken out as a separate sales order and scheduled to ship separately. This additional step may delay processing.

3. Quantities: MRS items subject to available stock at time of order. Large orders may be subject to limitations on the quantities. Any orders above that quantity will be treated as a standard order and standard lead times will apply.

4. Fast Processing: If a clean purchase order is received by Mott Manufacturing by noon EST, it will be entered within the same business day. Clean purchase orders received by Mott Manufacturing after 12:00PM EST will be entered by the end of the next business day. Once the order is processed, an email confirmation will be sent with the sales order number and estimated lead time.

5. Lead Times: MRS orders will ship within 15 business days as calculated from the time of sales order confirmation. All ship dates are estimated, and 15 day lead times do not include weekends or holidays.

6. Change Orders: Change orders and order cancellations cannot be accepted once a MRS order is processed by Mott Manufacturing.

7. Freight and Shipping: Orders will ship complete based on longest lead-time item. MRS orders will ship within 15 business days as calculated from the time of sales order confirmation, and freight will be arranged through the dealer.

8. Returns: No returns, exchanges, or restocking can be accepted for MRS items. All sales are final.

9. Disclaimer: Mott Manufacturing reserves the right to modify this program at any time. Refer to the Mott Manufacturing website at www.mott.ca/rapid-ship for MRS program updates and information.

10. Warranty: Standard Mott Manufacturing warranties applies to MRS items.

CABINET CONSTRUCTION

Construction style: Inset steel

Hardware: Brushed aluminum wire pulls and stainless steel five knuckle hinges

Drawers: 100 lb. nylon tire suspended drawers are self closing during the last 6" of travel

Shelves: Adjustable in 1/2" increments

Color: All MRS products are offered in Warm Gray (#601006) and Bright White #693226)

BASE CABINETS

Door Units



Item Number

1410011

- 36" wide, 34-3/4" high, 22" deep.

Door/Drawer Units



Width	Right Hinged	Left Hinged	# of Doors
18"	1110022	1110222	1
30"	1310022	-	2
36"	1410022	-	2

- 34-3/4" high, 22" deep.

Drawer Units



Width Item Number

18" 1110044

24" 1210044

- 34-3/4" high, 22" deep.

SINK CABINETS

Sink Units

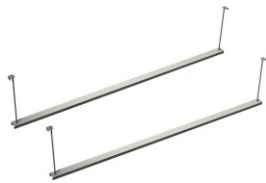


Item Number

1418022

- 36" wide, 34-3/4" high, 22" deep.
- Sink base bottoms are powder coated galvanized steel.

Sink Support Kit



Item Number

SSK1036

- Metal frame to support and position an under mount sink.

WALL CABINETS

Hinged Framed Glass Door Units



Width	Right Hinged	# of Doors
18"	5110030	1
36"	5410030	2

- 30" high, 14" deep.

Hinged Door Units



Width	Right Hinged	# of Doors
18"	5110060	1
36"	5410060	2

- 30" high, 14" deep.

MISCELLANEOUS COMPONENTS

Gable Legs



Width	Item Number
22"	GLS1022
29"	GLS1029

- Gable Legs are used to support wall and island counter tops or aprons where base cabinets are not required.
- Comes complete with wall mounting channel.
- 1-1/2" wide, 34-3/4" high.

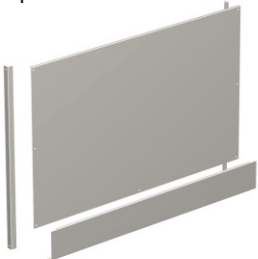
Apron Units



Width	Item Number
30"	AUC0130
36"	AUC0136

- Aprons provide a work area from a seated position.
- 3-3/4" high, three piece adjustable construction.
- 22" deep.

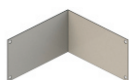
Apron Service Covers



Width	Item Number
30"	SCP3030
36"	SCP3036

- Apron Service Cover panels are used to conceal open spaces and services below aprons. 31" to meet standing height.
- Attaches to adjacent cabinets and meets the bottom of the apron.
- Assembly includes single angles for attachment to adjacent cabinets. Upper panel is removable to allow access to the services. The lower panel stays fixed in order to apply the coved base and overlapping the lower and upper panel allows to accommodate for uneven floors.

Front Filler Scribes



Width	Right Hand	Left Hand
4"	FFR1004	FFL1004
14"	FFR1014	FFL1014

- The Front Filler Scribe is commonly used to close a space between a base cabinet and a wall.
- A double angle is provided to enclose the raw edge of the panel.
- 34-3/4" standing height.
- Right hand Front Filler Scribe shown, left hand fillers reverse of what is shown.

Item Number
9900001

- Toe space filler required for corner applications.

End Cover Panel Scribes

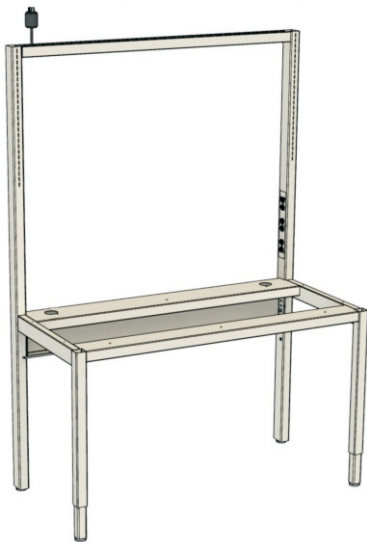


Width	Item Number
1"	ECS1001
7"	ECS1007
11"	ECS1011
12"	ECS1012
14"	ECS1014

- End Cover Panel Scribes are used to close spaces between the back of a base cabinet and a wall.
- The Scribe feature allows for easy width adjustment in the field.
- 34-3/4" standing height.

ALTUS™ TABLE SYSTEMS

Assembly

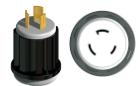


Width	Item Number
48"	ATS2948
60"	ATS2960
72"	ATS2972

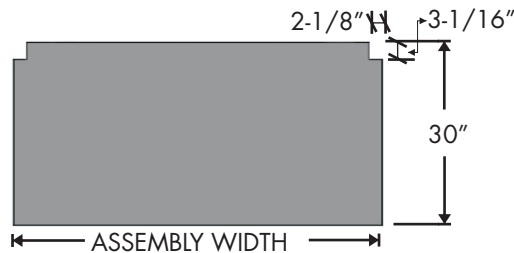
- Overall assembly is 84" high, 29" deep with 2" X 3" deep rear posts, 2" square tubular front legs with leveling feet. Table frame is an all-welded construction. Cantilevered table frame is height adjustable in 1" increments from 29" to 36" (work surface not included). Overall depth of assembly does not include work surface.
- Complete with hanging rails to suspend lower cabinets.
- A maximum of three fixtures are available on the plumbing post (must be ordered separately).
- Three white duplex electrical receptacles are standard on side electrical post.
- Shipped partially assembled.

TYPICAL ELECTRICAL PLUG DETAIL

Tables are typically equipped with NEMA L5-20P locking plugs. Each assembly is supplied with 4 feet of white electrical cord. Requires one 120V, 20A circuit.



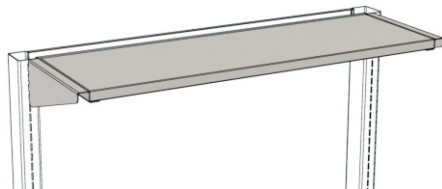
Work Surfaces



Width	Black Phenolic	Black Epoxy
48"	PAL3048	EAL3048
60"	PAL3060	EAL3060
72"	PAL3072	EAL3072

- 1" thick black phenolic resin or black epoxy with 1/8" (3mm) beveled edges (Note: cutouts for uprights are not beveled).
- 1" overhang at front.

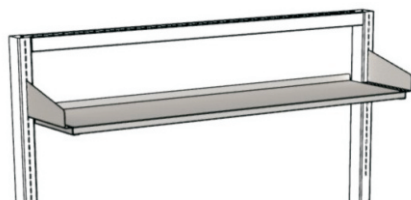
Top Steel Shelf Assemblies



Width	Item Number
48"	AAS1248
60"	AAS1260
72"	AAS1272

- Assembly includes one 1" thick 12" deep shelf and a pair of 12" deep brackets. Suitable for Altus™ only.
- Shelves are adjustable in 1" increments.

Steel Shelf Assemblies

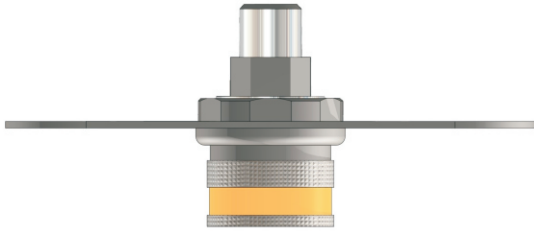


Width	Item Number
48"	SAA1248
60"	SAA1260
72"	SAA1272

- Assembly includes one 1" thick shelf, one rear shelf angle, one 12" deep shelf and a pair of brackets. (9" brackets for 12" deep assembly). Suitable for Altus™ only.
- Shelves are adjustable in 1" increments.

ALTUS™ TABLE SYSTEMS

Female Ceiling Quick Connect Fittings

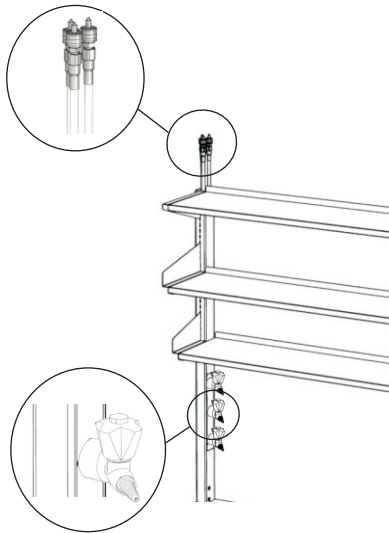


The customer is responsible for ensuring that internal piping and components meet local codes and standards. In some jurisdictions on-site inspection and testing may be required, this service is not provided by Mott Manufacturing.

Service	Band Color	Item Number
AIR	ORANGE	MCPVAIR
ARG	VIOLET	MCPVARG
CW	GREEN	MCPVCWT
GAS	BLUE	MCPVGAS
HE	BLACK	MCPVHEL
NIT	BROWN	MCPVNIT
VAC	YELLOW	MCPVVAC

- These parts are shipped loose.
- A panel mounted stainless steel keyed quick connect body is suitable for panel mounting on overhead service carriers and Ceiling Service Panels with stainless steel hoses.
- A panel mounted brass keyed quick connect body is suitable for panel mounting on overhead service carriers and Ceiling Service Panels with PVC hoses.
- Complete with 3/8" NPT inlet.
- Only plug and body quick connects of the same color will couple and allow flow.

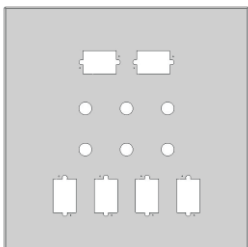
Service Assemblies



Service	Band Color	White Hose	Stainless Steel
AIR	ORANGE	ASAPAIR	-
ARG	VIOLET	ASAPARG	-
CW	GREEN	ASAPCWT	-
GAS	BLUE	-	ASASGAS
HE	BLACK	ASAPHEL	-
NIT	BROWN	ASAPNIT	-
VAC	YELLOW	ASAPVAC	-

- These parts are shipped loose.
- Assembly complete with panel mounted single service fixture (Needle Valve supplied, Note: *Cold Water is supplied with ball valve), keyed quick connect plug and hose.
- Corrugated gas appliance connector with stainless steel keyed quick connect is supplied for natural gas.
- These assemblies are only suitable for the Altus™ Tables.
- Supplied with 4 feet of service lines above table height.
- Only plug and body quick connects of the same color will couple and allow flow.
- Fixtures may not be exactly as shown.
- Epoxy coated fixtures.

Ceiling Service Panels

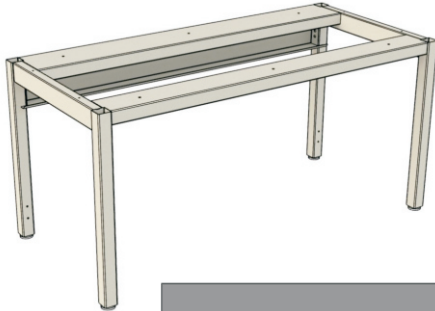


Width	Item Number
20"	OSP0002

- Powder coated steel panel takes the place of a standard ceiling tile.
- Offers the ability to mount and disconnect quick connect service fixtures, electrical and data outlets.
- Dimension 23-3/4" x 23-3/4".
- 6 service access holes and 6 electrical cutouts.
- Panel is compatible with most T grid acoustical suspended ceiling structures.
- Fixtures must be ordered separately.

ALTUS™ TABLE SYSTEMS

Four Leg Table



Width	Item Number
48"	ATF2848
60"	ATF2860
72"	ATF2872

- Table frame is an all-welded construction, 28" deep with 2" square tubular legs with leveling feet. Table frame is height adjustable in 1" increments from 29" to 36" (work surface not included).
- Table frame complete with hanging rails to suspend lower cabinets.
- Shipped assembled.

Width	Black Phenolic	Black Epoxy
48"	PAT3048	EAT3048
60"	PAT3060	EAT3060
72"	PAT3072	EAT3072

- 1" thick black phenolic resin or black epoxy with 1/8" (3mm) beveled edges.
- Provides 1" overhang on front and back.

SUSPENDED CABINETS FOR SIGMA CART™ & ALTUS™ TABLES

Door/Drawer Suspended Units



Width	Item Number
18"	1150022
24"	1250022

- Right hinged suspended door/drawer cabinets are 24" high x 22" deep.
- Cabinets receive one shelf.
- Cabinets have a welded top and back.

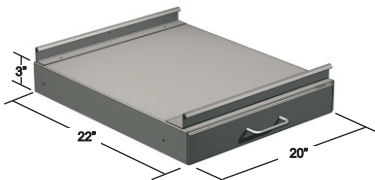
Drawer Suspended Units



Width	Item Number
15"	1950044
18"	1150044
24"	1250044

- Suspended drawer cabinets are 24" high x 22" deep.
- Cabinets have a welded top and back.

Pencil Drawers

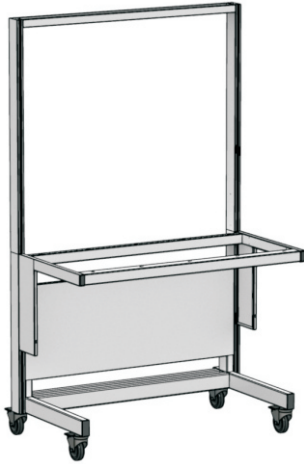


Width	Item Number
20"	PEN0020

- Pencil Drawer suspends from tables with hanging rails.
- Drawer on Pencil Drawer is supplied with full extension runners.

SIGMA CARTS™

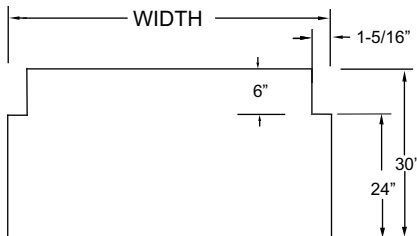
Full Height Cart Assembly



Width	Item Number
48"	MWS1048
60"	MWS1060
72"	MWS1072

- One piece full height cart assembly is 78" high and comes complete with cantilevered table frame, height adjustable in 1" increments (work surface not included).
- Overall depth of cart is 30" deep with 23" deep table frame.
- Shelves can be installed above and below work surface (accepts standard Sigma Cart™shelves).
- Hanging rails are included on table frame to suspend lower cabinets.
- Total lock steel swivel casters are standard on this cart.
- Cart ships assembled.

Work Surfaces



Width	Black Phenolic	Black Epoxy
48"	PSC3048	ESC3048
60"	PSC3060	ESC3060
72"	PSC3072	ESC3072

- 1" thick black phenolic resin or black epoxy with 1/8" (3mm) beveled edges (Note: cutouts for uprights are not beveled).
- 1" overhang on front.

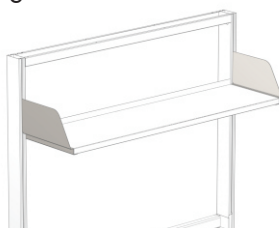
Sigma Cart™ Shelves



Width	Item Number
48"	FSH1248
60"	FSH1260
72"	FSH1272

- 12" deep shelf suitable for any Sigma Cart™.
- Attach to shelf brackets with screws (screws not included).
- Nominal widths.

Sigma Cart™ Shelf Brackets



Width	Item Number
48"	FSB0012

- Pair of 12" deep steel end brackets designed to fit Sigma Cart™ Shelves.
- Adjustable in 1" increments.
- Brackets only compatible Sigma Cart™.

SPECIALTY CABINETS

Acid Storage Units



24" wide



30" and wider

Polyolefin Vent Sets



Item Number

PVSS

- Polyolefin Vent sets are for venting Acid Storage units (Not recommended for flammable storage cabinets).
- Flexible corrugated vent tube is 8' feet long and comes with fitting to attach to rear of cabinet.

Width	Right Hinged	Left Hinged
24"	1231011	1231211
30"	1331011	-
36"	1431011	-
48"	1531011	-

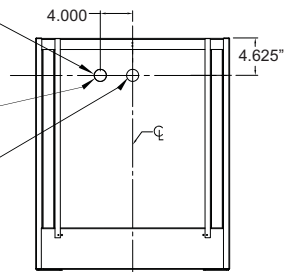
- Acid cabinets are 34-3/4" high x 18" deep (single door right hinged unit shown).
- Acid cabinets are lined with a chemically resistant molded polyethylene liner. Removable liner is held in place with capped stainless steel screws and has a vent connection.
- Cabinet has one black phenolic shelf.
- Cabinets are marked "ACID" - in red letters.
- **Note:** Acid Cabinets must be vented. Mott recommends venting acid cabinets with a Polyolefin Vent Kit (PVSS).

Acid Cabinet Rear View

2" DIA Female National Pipe Thread vent connection on cabinets with Molded Tub Liners and 1-1/2" Plain Hole on cabinets with FRP Liners

Vent hole location for all SINGLE DOOR Acid Cabinets

Vent hole location for all DOUBLE DOOR Acid Cabinets



Insulated Solvent Units



24" wide



30" and wider

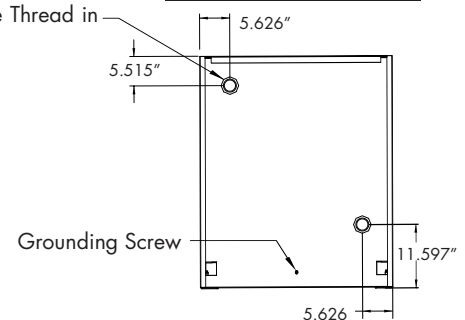
Note: Fire code does not require Solvent Cabinets to be vented. Do not vent Solvent Cabinets to fume hood. If cabinet must be vented use fireproof pipe. Contact Mott for details.

Width	Right Hinged	Left Hinged	US Gallons	Litres
24"	1232011	1232111	13.2	50
30"	1332011	-	13.2	50
36"	1432011	-	19.8	75
48"	1532011	-	26.4	100

- Insulated Solvent Units are 34-3/4" high x 18" deep (single door right hinged unit shown).
- Fabricated with a 2" insulated double wall and are approved to UL1275, and meet National Fire Protection Association standards.
- The floor of the cabinet has a 2" deep liquid tight spill containment pan.
- Doors are mounted on continuous hinges with a three point locking self latching handle. Optional self closing doors are also available.
- Each cabinet has two 2" diameter vents in the rear of the cabinet, complete with flame arrestor and vent covers.
- Each cabinet has one powder coated steel shelf.
- Cabinets are marked "FLAMMABLE KEEP FIRE AWAY" - in red letters.

Solvent Cabinet Rear View

2" DIA Female National Pipe Thread in two places as shown



Self Closing Kits



Description	Item Number
For a 36" wide Solvent Cabinet	SCK0036
For a 48" wide Solvent Cabinet	SCK0048

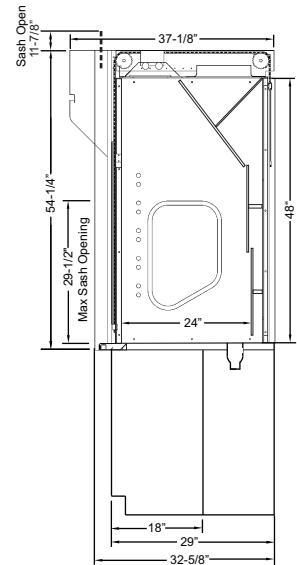
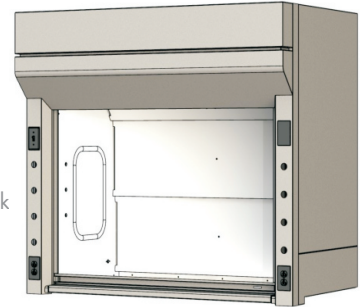
- Self Closing Kits for Solvent Cabinets require field installation.

SAFEGUARD™ BENCH FUME HOOD - VERTICAL SASH

Features

The SafeGuard™ Constant Air Volume (CAV) fume hood has been developed to meet the challenging safety, energy conservation, and operational requirements of today's laboratory. Standard features:

- Vertical rising sash with chain and sprocket sash counterbalance system.
- Low profile powder coated, type 316 stainless steel hinged airfoil is flush with work surface.
- 34" high sash glass allows for superior visibility of the fume hood interior.
- Air flows through the downward directed bypass.
- UL/CSA approved fluorescent light fixture complete with bulbs that provide a minimum work surface luminescence of 80 foot candles and a corner post mounted UL/CSA approved switch.
- Two UL/CSA approved duplex receptacles, 120 volt service - one receptacle on each post.
- Two corner posts pre-punched to accept a maximum of 4 plumbing fittings per post.
- Removable interior access panels and removable exterior side panels.
- Auto sash leveler automatically closes to the 18" height which decreases exhaust air and offers extra protection to the operator.
- Plastic latch temporarily secures the sash in the full open position for setup and teardown.
- Designed for 60-100 feet per minute face velocities.
- Meets all ASHRAE 110-95 Standards and is UL 1805 Classified.
- Round exhaust collar.

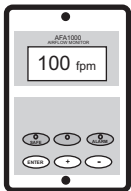


Vertical Rising Sash

Width	Item Number
48"	7271040
60"	7371040
72"	7471040

EXHAUST PARAMETERS		60 FPM	80 FPM	100 FPM			
		29-1/2" MAX	18" MAX	18" MAX			
		SASH OPENING	SASH OPENING	SASH OPENING			
Hood Size	Duct Size	CFM	SP	CFM	SP	CFM	SP
48"	10"	481	0.08	385	0.05	481	0.08
60"	12"	631	0.07	505	0.04	631	0.07
72"	12"	781	0.10	625	0.06	781	0.10

Audio/Visual Fume Hood Alarm

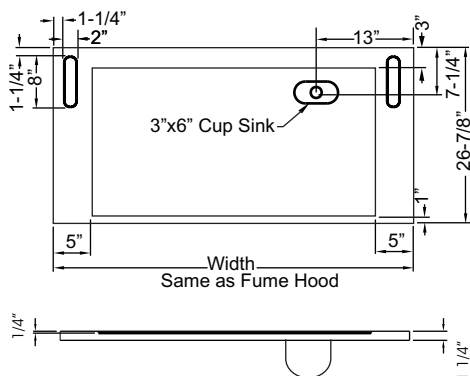


Item Number

ALARM04

- The fume hood velocity alarm is used to make sure that the face velocity does not drop below an unsafe level.
- Digital display of face velocity.
- Ships loose.

SafeGuard™ Work Surfaces



Width	Black Phenolic	Black Epoxy
48"	SPR2748	SFR2748
60"	SPR2760	SFR2760
72"	SPR2772	SFR2772

- Black phenolic or black epoxy work surface with cupsink on right side for SafeGuard™ fume hoods.
- Cup sinks are located for 18" deep fume hood base cabinets.

Cup Sink Cover

Black Phenolic Black Epoxy

PFC0000 EFC0000



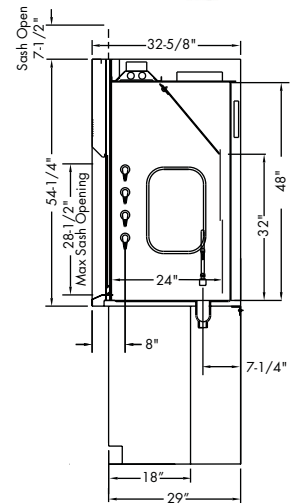
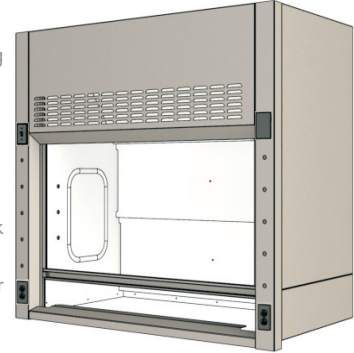
- Black phenolic or black epoxy cup sink cover fits over standard 3" x 6" cup sink.

PRO CONSTANT VOLUME BENCH FUME HOOD - VERTICAL SASH

Features

This all purpose fume hood is designed to meet most laboratory Constant Air Volume (CAV). Designed to mount on a 30" deep counter top. The Pro bench mounted fume hood is supplied with the following standard features:

- Vertical rising sash with stainless steel cable system.
- An automatic compensating upper by-pass.
- A lower airfoil by-pass with electrical cord notches.
- CSA Certified and UL Classified.
- A UL/CSA approved fluorescent light fixture complete with bulbs that provide a minimum work surface luminescence of 80 foot candles and a corner post mounted UL/CSA approved switch.
- Two UL/CSA approved duplex receptacles for 120 volt service - one receptacle on each corner post.
- Both corner posts pre-punched to accept a maximum of 5 plumbing fittings per post.
- Right corner post pre-punched to accept standard Alnor 1000 alarm cutout.
- Removable interior access panel in each side wall. Removable exterior side panels.
- FRP lined.

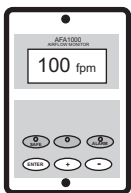


Vertical Rising Sash

Width	Item Number
48"	7221000
60"	7321000
72"	7421000

EXHAUST PARAMETERS		80 FPM		100 FPM		80 FPM		100 FPM	
		28-1/2" MAX		28-1/2" MAX		18" MAX		18" MAX	
		SASH OPENING		SASH OPENING		SASH OPENING		SASH OPENING	
Hood Size	Duct Size	CFM	SP	CFM	SP	CFM	SP	CFM	SP
48"	10"	630	0.15	789	0.20	407	0.06	508	0.09
60"	12"	830	0.15	1035	0.20	533	0.05	667	0.07
72"	12"	1025	0.20	1280	0.25	660	0.07	825	0.11

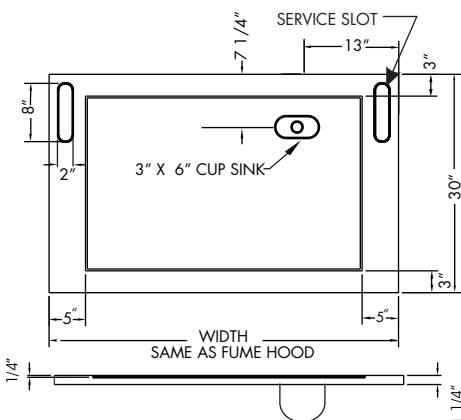
Audio/Visual Fume Hood Alarm



Item Number
ALARM04

- The fume hood velocity alarm is used to make sure that the face velocity does not drop below an unsafe level.
- Digital display of face velocity.
- Ships loose.

Pro Series Work Surfaces

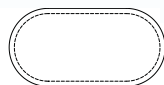


Width	Black Phenolic	Black Epoxy
48"	PFR3048	EFR3048
60"	PFR3060	EFR3060
72"	PFR3072	EFR3072

- Black phenolic or black epoxy work surface with cupsink on right side for Pro Series fume hoods.
- Cup sinks are located for 18" deep fume hood base cabinets.

Cup Sink Cover

Black Phenolic	Black Epoxy
PFC0000	EFC0000



- Black phenolic or black epoxy cup sink cover fits over standard 3" x 6" cup sink.

WATER SAVER FIXTURES FOR FUME HOODS

Front Load Assembly



Service	Color	Item Number
AIR	ORANGE	WSF1001
GAS	BLUE	WSF1002
GAS WITH CHECK VALVE	BLUE	WSF1003
VAC	YELLOW	WSF1004
CW RIGID/SWING GOOSENECK	GREEN	WSF1008
CW RIGID/SWING GOOSENECK IN-LINE VB	GREEN	WSF1009

- Assemblies include front load valves with color coded nylon handles and outlet fitting.
- Piping not included.
- Can be plumbed up or down in the field.
- Air, Gas, Gas with internal check valve and Vac: panel mounted with 45 angle hose end.
- C.G.A. & A.G.A. approved for gas.
- WSF1008: Wall mounted 6" rigid swing gooseneck complete with serrated tip (L9RS).
- These fixture assemblies will ship loose for field installation.
- WSF1009: Wall mounted 6" rigid swing gooseneck complete with serrated tip and in-line vacuum breaker (L9RSVB).
- These fixture assemblies will ship loose for field installation.

Copper Tubing	Black Pipe
PIPE001	PIPE002

- 6' copper tubing with compression fittings.
- 6' black piping with 90° elbows.
- Copper tubing and black pipe ships loose.

LAB SPECIALIST LOCATOR

COSNEY CORPORATION
952.249.0616

MGC, INC.
713.800.7300

MOTTLAB, INC.
905.331.1877

NEW ENGLAND LAB
781.932.9980

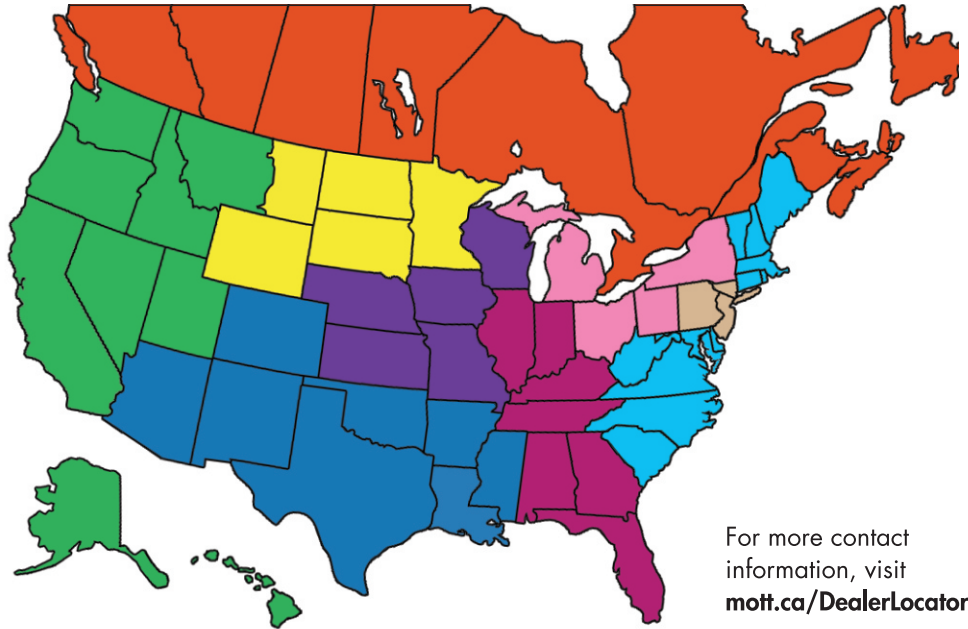
SAXTON BRADLEY, INC.
800.643.3512

SCIENTIFIX, LLC
856.780.5871

SCOTT LABORATORY SOLUTIONS
865.539.9112

SPENCER VIRNOCHE, INC.
315.698.0171
248.232.8894

WYNN O. JONES & ASSOC. INC.
715.359.5196



For more contact information, visit mott.ca/DealerLocator

FISHER SCIENTIFIC PART NUMBERS

Mott Part Number	Page	New England Lab	MGC	Spencer Virnoche	Scientifix	Wynn O. Jones	Saxton Bradley	Scott Labs	Cosney	MottLAB
1110044	2	24200404	24200328	24200556	24200632	24200708	24200480	24200784	24200100	361041383
1110022	2	4000000	4000087	4000261	4000348	4000435	4000522	4000609	4000783	361041903
1110222	2	4000001	4000088	4000262	4000349	4000436	4000523	4000610	4000784	361041904
1310022	2	24200406	24200330	24200558	24200634	24200710	24200482	24200786	24200102	361041385
1210044	2	24200411	24200335	24200563	24200639	24200715	24200487	24200791	24200107	361041390
1410011	2	24200413	24200337	24200565	24200641	24200717	24200489	24200793	24200109	361041392
1410022	2	24200414	24200338	24200566	24200642	24200718	24200490	24200794	24200110	361041393
1418022	3	24200415	24200339	24200567	24200643	24200719	24200491	24200795	24200111	361041394
SSK1036	3	4000002	4000089	4000263	4000350	4000437	4000524	4000611	4000785	36 104 1905
5110030	3	24200417	24200341	24200569	24200645	24200721	24200493	24200797	24200113	361041396
5110060	3	24200418	24200342	24200570	24200646	24200722	24200494	24200798	24200114	361041397
5410030	3	4000003	4000090	4000264	4000351	4000438	4000525	4000612	4000786	36 104 1906
5410060	3	24200421	24200345	24200573	24200649	24200725	24200497	24200801	24200117	361041400
AUC0130	4	24200422	24200346	24200574	24200650	24200726	24200498	24200802	24200118	361041401
AUC0136	4	24200423	24200347	24200575	24200651	24200727	24200499	24200803	24200119	361041402
ECS1011	4	24200479	24200403	24200631	24200707	24200783	24200555	24200859	24200175	361041458
ECS1001	4	4000004	4000091	4000265	4000352	4000439	4000526	4000613	4000787	361041907
ECS1012	4	4000005	4000092	4000266	4000353	4000440	4000527	4000614	4000788	361041908
ECS1014	4	4000006	4000093	4000267	4000354	4000441	4000528	4000615	4000789	36 104 1909
ECS1007	4	24200424	24200348	24200576	24200652	24200728	24200500	24200804	24200120	361041403
GLS1029	4	24200425	24200349	24200577	24200653	24200729	24200501	24200805	24200121	361041404
GLS1022	4	4000007	4000094	4000268	4000355	4000442	4000529	4000616	4000790	361041910
FFR1004	4	4000008	4000095	4000269	4000356	4000443	4000530	4000617	4000791	361041911
FFL1004	4	4000009	4000096	4000270	4000357	4000444	4000531	4000618	4000792	361041912
FFR1014	4	4000010	4000097	4000271	4000358	4000445	4000532	4000619	4000793	361041913
FFL1014	4	4000011	4000098	4000272	4000359	4000446	4000533	4000620	4000794	361041914
9900001	4	4000012	4000099	4000273	4000360	4000447	4000534	4000621	4000795	361041915
SCP3030	4	24200426	24200350	24200578	24200654	24200730	24200502	24200806	24200122	361041405
SCP3036	4	24200427	24200351	24200579	24200655	24200731	24200503	24200807	24200123	361041406
ATS2948	5	4000019	4000106	4000280	4000367	4000454	4000541	4000628	4000802	361041922
ATS2960	5	4000020	4000107	4000281	4000368	4000455	4000542	4000629	4000803	361041923
ATS2972	5	4000021	4000108	4000282	4000369	4000456	4000543	4000630	4000804	361041924
PAL3048	5	4000022	4000109	4000283	4000370	4000457	4000544	4000631	4000805	361041925
PAL3060	5	4000023	4000110	4000284	4000371	4000458	4000545	4000632	4000806	361041926
PAL3072	5	4000024	4000111	4000285	4000372	4000459	4000546	4000633	4000807	361041927
EAL3048	5	4000025	4000112	4000286	4000373	4000460	4000547	4000634	4000808	361041928
EAL3060	5	4000026	4000113	4000287	4000374	4000461	4000548	4000635	4000809	361041929
EAL3072	5	4000027	4000114	4000288	4000375	4000462	4000549	4000636	4000810	361041930
AAST248	5	4000028	4000115	4000289	4000376	4000463	4000550	4000637	4000811	361041931
AAST260	5	4000029	4000116	4000290	4000377	4000464	4000551	4000638	4000812	361041932
AAST272	5	4000030	4000117	4000291	4000378	4000465	4000552	4000639	4000813	361041933
SAAT248	5	24200432	24200356	24200584	24200660	24200736	24200508	24200812	24200128	361041411
SAAT260	5	24200433	24200357	24200585	24200661	24200737	24200509	24200813	24200129	361041412
SAAT272	5	24200434	24200358	24200586	24200662	24200738	24200510	24200814	24200130	361041413

All dimensions and sizes shown are nominal. Specifications and details are based on product information at the time of printing and may change at any time without notice. Mott Manufacturing reserves the right to change dimensions, specifications and manufacturing details at any time without notice.

FISHER SCIENTIFIC PART NUMBERS

Mott Part Number	Page	New England Lab	MGC	Spencer Virnoche	Scientifix	Wynn O. Jones	Saxton Bradley	Scott Labs	Cosney	MottLAB
ASAPAIR	6	4000031	4000118	4000292	4000379	4000466	4000553	4000640	4000814	361041934
ASAPARG	6	4000032	4000119	4000293	4000380	4000467	4000554	4000641	4000815	361041935
ASAPCWT	6	4000033	4000120	4000294	4000381	4000468	4000555	4000642	4000816	361041936
ASASGAS	6	4000034	4000121	4000295	4000382	4000469	4000556	4000643	4000817	361041937
ASAPHEL	6	4000035	4000122	4000296	4000383	4000470	4000557	4000644	4000818	361041938
ASAPNIT	6	4000036	4000123	4000297	4000384	4000471	4000558	4000645	4000819	361041939
ASAPVAC	6	4000037	4000124	4000298	4000385	4000472	4000559	4000646	4000820	361041940
OSP0002	6	4000053	4000140	4000314	4000401	4000488	4000575	4000662	4000836	361041955
MCPVAIR	6	4000054	4000141	4000315	4000402	4000489	4000576	4000663	4000837	361041956
MCPVARG	6	4000055	4000142	4000316	4000403	4000490	4000577	4000664	4000838	361041957
MCPVCWT	6	4000056	4000143	4000317	4000404	4000491	4000578	4000665	4000839	361041958
MCPVGAS	6	4000057	4000144	4000318	4000405	4000492	4000579	4000666	4000840	361041959
MCPVHEL	6	4000058	4000145	4000319	4000406	4000493	4000580	4000667	4000841	361041960
MCPVNIT	6	4000059	4000146	4000320	4000407	4000494	4000581	4000668	4000842	361041961
MCPVVAC	6	4000060	4000147	4000321	4000408	4000495	4000582	4000669	4000843	361041962
ATF2848	7	4000038	4000125	4000299	4000386	4000473	4000560	4000647	4000821	361041941
ATF2860	7	4000039	4000126	4000300	4000387	4000474	4000561	4000648	4000822	361041942
ATF2872	7	4000040	4000127	4000301	4000388	4000475	4000562	4000649	4000823	361041943
PAT3048	7	4000041	4000128	4000302	4000389	4000476	4000563	4000650	4000824	361041944
PAT3060	7	4000042	4000129	4000303	4000390	4000477	4000564	4000651	4000825	361041945
PAT3072	7	4000043	4000130	4000304	4000391	4000478	4000565	4000652	4000826	361041946
EAT3048	7	4000044	4000131	4000305	4000392	4000479	4000566	4000653	4000827	361041947
EAT3060	7	4000045	4000132	4000306	4000393	4000480	4000567	4000654	4000828	361041948
EAT3072	7	4000046	4000133	4000307	4000394	4000481	4000568	4000655	4000829	361041949
1150022	7	4000047	4000134	4000308	4000395	4000482	4000569	4000656	4000830	361041950
1250022	7	4000048	4000135	4000309	4000396	4000483	4000570	4000657	4000831	361041951
1950044	7	4000049	4000136	4000310	4000397	4000484	4000571	4000658	4000832	361041952
1150044	7	4000050	4000137	4000311	4000398	4000485	4000572	4000659	4000833	361041426
1250044	7	4000051	4000138	4000312	4000399	4000486	4000573	4000660	4000834	361041953
PEN0020	7	4000052	4000139	4000313	4000400	4000487	4000574	4000661	4000835	361041954
MWS1048	8	24200435	24200359	24200587	24200663	24200739	24200511	24200815	24200131	361041414
MWS1060	8	24200436	24200360	24200588	24200664	24200740	24200512	24200816	24200132	361041415
MWS1072	8	24200437	24200361	24200589	24200665	24200741	24200513	24200817	24200133	361041416
FSH1248	8	24200438	24200362	24200590	24200666	24200742	24200514	24200818	24200134	361041417
FSH1260	8	24200439	24200363	24200591	24200667	24200743	24200515	24200819	24200135	361041418
FSH1272	8	24200440	24200364	24200592	24200668	24200744	24200516	24200820	24200136	361041419
FSB0012	8	24200441	24200365	24200593	24200669	24200745	24200517	24200821	24200137	361041420
PSC3048	8	4000013	4000100	4000274	4000361	4000448	4000535	4000622	4000796	361041916
PSC3060	8	4000014	4000101	4000275	4000362	4000449	4000536	4000623	4000797	361041917
PSC3072	8	4000015	4000102	4000276	4000363	4000450	4000537	4000624	4000798	361041918
ESC3048	8	4000016	4000103	4000277	4000364	4000451	4000538	4000625	4000799	361041919
ESC3060	8	4000017	4000104	4000278	4000365	4000452	4000539	4000626	4000800	361041920
ESC3072	8	4000018	4000105	4000279	4000366	4000453	4000540	4000627	4000801	361041921

FISHER SCIENTIFIC PART NUMBERS

Mott Part Number	Page	New England Lab	MGC	Spencer-Virnoche	Scientifix	Wynn Jones	Saxton Bradley	Scott Labs	Cosney	MottLAB
1231011	9	24200467	24200391	24200619	24200695	24200771	24200543	24200847	24200163	361041446
1231211	9	24200468	24200392	24200620	24200696	24200772	24200544	24200848	24200164	361041447
1232011	9	24200469	24200393	24200621	24200697	24200773	24200545	24200849	24200165	361041448
1232111	9	24200470	24200394	24200622	24200698	24200774	24200546	24200850	24200166	361041449
1331011	9	24200471	24200395	24200623	24200699	24200775	24200547	24200851	24200167	361041450
1332011	9	24200472	24200396	24200624	24200700	24200776	24200548	24200852	24200168	361041451
1431011	9	24200473	24200397	24200625	24200701	24200777	24200549	24200853	24200169	361041452
1432011	9	24200474	24200398	24200626	24200702	24200778	24200550	24200854	24200170	361041453
1531011	9	24200477	24200401	24200629	24200705	24200781	24200553	24200857	24200173	361041456
1532011	9	24200478	24200402	24200630	24200706	24200782	24200554	24200858	24200174	361041457
SK0036	9	4000061	4000148	4000322	4000409	4000496	4000583	4000670	4000844	361041963
SK0048	9	4000062	4000149	4000323	4000410	4000497	4000584	4000671	4000845	361041964
7271040	10	4000072	4000159	4000333	4000420	4000507	4000594	4000681	4000855	361041974
7371040	10	4000073	4000160	4000334	4000421	4000508	4000595	4000682	4000856	361041975
7471040	10	4000074	4000161	4000335	4000422	4000509	4000596	4000683	4000857	361041976
SPR3048	10	4000075	4000162	4000336	4000423	4000510	4000597	4000684	4000858	361041977
SPR3060	10	4000076	4000163	4000337	4000424	4000511	4000598	4000685	4000859	361041978
SPR3072	10	4000077	4000164	4000338	4000425	4000512	4000599	4000686	4000860	361041979
SFR3048	10	4000078	4000165	4000339	4000426	4000513	4000600	4000687	4000861	361041980
SFR3060	10	4000079	4000166	4000340	4000427	4000514	4000601	4000688	4000862	361041981
SFR3072	10	4000080	4000167	4000341	4000428	4000515	4000602	4000689	4000863	361041982
7221000	11	24200459	24200383	24200611	24200687	24200763	24200535	24200839	24200155	361041438
7321000	11	24200460	24200384	24200612	24200688	24200764	24200536	24200840	24200156	361041439
7421000	11	24200461	24200385	24200613	24200689	24200765	24200537	24200841	24200157	361041440
ALARM04	11	4000063	4000150	4000324	4000411	4000498	4000585	4000672	4000846	361041965
PFR3048	11	4000064	4000151	4000325	4000412	4000499	4000586	4000673	4000847	361041966
PFR3060	11	4000065	4000152	4000326	4000413	4000500	4000587	4000674	4000848	361041967
PFR3072	11	4000066	4000153	4000327	4000414	4000501	4000588	4000675	4000849	361041968
EFR3048	11	4000067	4000154	4000328	4000415	4000502	4000589	4000676	4000850	361041969
EFR3060	11	4000068	4000155	4000329	4000416	4000503	4000590	4000677	4000851	361041970
EFR3072	11	4000069	4000156	4000330	4000417	4000504	4000591	4000678	4000852	361041971
WSF1001	12	4000081	4000168	4000342	4000429	4000516	4000603	4000690	4000864	361041983
WSF1002	12	4000082	4000169	4000343	4000430	4000517	4000604	4000691	4000865	361041984
WSF1003	12	4000083	4000170	4000344	4000431	4000518	4000605	4000692	4000866	361041985
WSF1004	12	4000084	4000171	4000345	4000432	4000519	4000606	4000693	4000867	361041986
WSF1008	12	4000085	4000172	4000346	4000433	4000520	4000607	4000694	4000868	361041987
WSF1009	12	4000086	4000173	4000347	4000434	4000521	4000608	4000695	4000869	361041988
PF0000	10 & 11	4000070	4000157	4000331	4000418	4000505	4000592	4000679	4000853	361041972
EFC0000	10 & 11	4000071	4000158	4000332	4000419	4000506	4000593	4000680	4000854	361041973



ISO 9001:2008 REGISTERED

Corporate Headquarters
452 Hardy Rd, Brantford ON, Canada N3T 5L8
T. 519.752.7825

www.mott.ca

© 2016 Thermo Fisher Scientific Inc. All rights reserved.
Trademarks used are owned as indicated at www.fishersci.com/trademarks.

In the United States:

For customer service, call 1-800-766-7000
To fax an order, use 1-800-926-1166
To order online: www.fishersci.com

In Canada:

For customer service, call 1-800-234-7437
To fax an order, use 1-800-463-2996
To order online: www.fishersci.ca



A Thermo Fisher Scientific Brand

BN0310161